

SLANVERT

Hope Senlan Science and Technology Holding Corp., Ltd.

SLANVERT

Site: www.slanvert.com
Add.: No. 1599, Section 2, 2nd Airport Road, Xihanggang,
Shuangliu district, Chengdu, Sichuan, P.R. China
Email: info@dlhope.com
Tel: +86 028 8565 3587



About Us



Founded in 1998, as a leading enterprise in the field of energy saving and environmental protection, new energy, transmission control and intelligent equipment in China, Hope Slanvert has been honored as “China Famous Brand”, “China Well-known Trademark”, “Little Giants” Enterprise, and the top brand of domestic inverter in China, etc. The company integrates R&D, manufacturing, system integration and customer service, and its products cover high-voltage and low-voltage inverter control systems, automated production lines and robot transmission control, EPS power supply, port shore power, poly/monocrystalline silicon power supply and other industrial power supply systems. Hope Slanvert provide system solutions for electric power, building materials, paper making, municipal, non-ferrous metals, petroleum and petrochemical, equipment manufacturing and intelligent manufacturing, ports and airports, rail transit, new energy, charging clusters and other industries.

The company fully implements ERP information management, has more than a hundred of patents, and independent intellectual property rights system composed of proprietary technology, passed the ISO 9001:2015 International Quality System, ISO 14001:2015 Environmental Management System, ISO 45001:2018 Occupational Health and Safety Management System, as well as GB/T 29490 Intellectual Property Management System Certification. The relevant products have passed the CE certification of the European Union, UL certification of the United States, and EAC certification of Russia.

Adhering to the business philosophy of “Excellence Beyond Border”, more than 20 years of dedication and perseverance has created the outstanding quality of Hope Slanvert. Our products have been distributed in more than 30 countries and regions such as China, India, South Africa, Brazil, Italy, Denmark, Singapore, Indonesia, Malaysia, Vietnam, Turkey and so on.

Qualification List

- Chinese Well-known trade mark
- National specialization, the new "little giant" enterprises
- UL Certificate
- 2019 Enterprise of Chinese Automatic Field
- ISO9001 international quality system certified
- ISO14001 environmental management system certified
- ISO45001 occupational health and safety management system
- China Top Brand Product
- China Soft Starter China Compulsory Certification (CCC)
- China Classification Society (CCS)
- Intellectual property management system certification
- Russian EAC certification
- EU CE certified
- Benchmarking enterprise for customer satisfaction in China's electrical equipment industry
- National hi-tech enterprise



CERTIFICATE OF PARTICIPATION
Issued by
UL CCC on behalf of
UL

HOPE SENLAN SCIENCE AND TECHNOLOGY HOLDING CORP. LTD
No.1599, Konggang Erlu, Southwest Airport Economic Development
Zone, Chengde, 610287, China
has been assessed and found eligible to participate in
UL WITHIN TEST DATA PROGRAM

Wang Jun
Quality Manager
ULCCC



Metallurgy

Sintering main exhaust fan, conversion dust removal fan, blast furnace blower, sulfur dioxide blower, annular cooler, combustion fan, slag flushing pump, phosphorus removal pump, etc.

Electricity

Feedwater pump, condensate pump, water circulating pump, air supply fan, induced draft fan, primary air fan, secondary air fan, etc.

Mines

Feedwater pump, condensate pump, water circulating pump, air supply fan, induced draft fan, primary air fan, secondary air fan, etc.

Petroleum and Natural Gas

Oil transfer pump, water injection pump, compressor, other fans and pumps, etc.

Chemical

Oil transfer pump, water injection pump, compressor, pressure pump, etc.

Building Materials

Kiln tail high temperature fan, kiln head exhaust fan, coal mill fan, cement mill circulating fan, powder exhaust fan, ball mill, crusher, etc.

Municipal

Blower, water supply pump, feedwater pump, induced draft fan, air supply fan, etc.

Others

Wind tunnel test fan, shore power, internal mixer, etc.



Transformation of Innovation

The Company holds more than 100 patents and proprietary technologies based on quasi-superconducting technology, forming an independent intellectual property system. The patents and proprietary technologies are fully applied to various aspects of product design and production to ensure product innovation and high quality.

2013 SLANVERT successively launched SB71 dust-proof series, SB72 wall-mounted and floor-mounted series, and SB73 tension control series inverter; SLANVERT get the confirmation for "Chinese Well-known trade mark" by the State Administration for Industry and Commerce;



2012 SLANVERT LV high-power four-quadrant inverter won the title of "One of Top Ten Innovative Variable Frequency Products in 2012";

2011 SLANVERT provided the third generation of SBH series HV inverter.;

2010 Successful development of the max power four-quadrant inverter which represents international advanced level ;

2008 SLANVERT SB80 engineering vector control inverter won the Sichuan Scientific & Technological Progress Award No. 1;

2007 SLANVERT inverter won the title of "China Top Brand";

2006 SLANVERT provided SB70UNIDRIVER series highly effective vector control inverter;

2004 SLANVERT SB80 engineering inverter came into the market;

2003 SLANVERT provided the first generation of HV inverter;

1998 The first SLANVERT inverter came into the market;

1995 Start research on variable frequency technology and to develop and manufacture related products;

.....

In 2024, SENLAN was awarded as "China's Top 10 Automation Companies of the Year" by the Chinese Association of Automation for the ten year in a row;

SENLAN was awarded the "China Electrical Industry User Satisfaction Benchmark Enterprise" in 2022;

2021 SLANVERT was listed in the third batch of "Little Giant" enterprises featuring expertise, precision, specialty, and innovation of the Ministry of Industry and Information Technology ;

2020 the company was selected as the "Advanced Standardization Work Unit" by National Technical Committee on Variable frequency Regulating Speed Equipment of Standardization Administration of China for the third time;

2019 SLANVERT Goods Polycrystalline Silicon Power Reduction Project is rated as "The Most Valuable Solution"; HOPE510 is rated as "The Most Competitive Innovative Product".

2018 SLANVERT Xiamen Shore-Power project get the "Intelligent Creation Demonstration Award";

2015 SLANVERT HV, MV and LV inverter got the title of "China Machinery Industrial Premium Brand";

2014 SLANVERT Senlan high protection grade high voltage inverter got the title of "Top Ten Innovation Inverter in 2014 ";

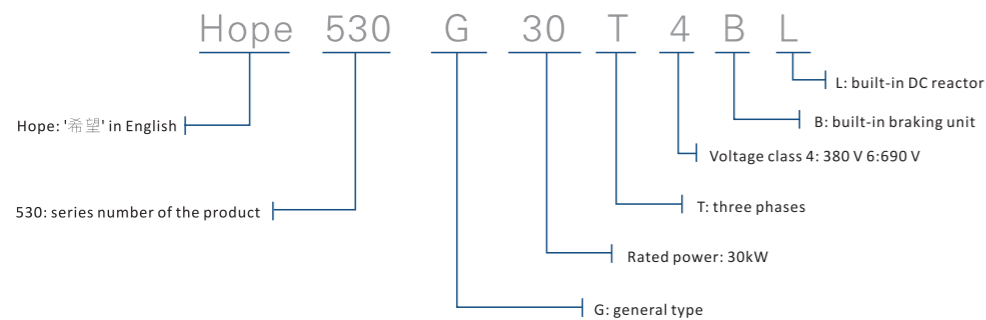
Independent R&D

SLANVERT emphasizes on independent R&D and has established complete system of independent innovative intellectual property. SLANVERT gains technology leadership and guides the development of the industry through constant technological accumulation of basic research center, interaction with relevant agencies and famous colleges and universities in China, participation in preparation of industrial stands and close cooperation with clients having an eye for prospective technology.



Hope530 High performance LV Drive

Naming Rules for Products



Features

- Control mode: VF, VF+PG, SVC, closed-loop Vector Control
- Strong overload capacity: 150% 60s, 180% 15s, 200% 2s
- 2 groups PID parameters
- Optional IO/ Encoder/ Communication card
- Integrated logic control: Comparator, logic, timer, arithmetic unit

Specification

Power Range	-4: 0.75~375kW -6: 18.5~375kW
Power input	3ph, 380V(-15%)~440V(+10%), 520V(-15%)~690V(+10%), 50/60Hz
Power output	Voltage: 0~Vin Frequency: 0~400Hz
Overload Capacity	150% of rated current: 60s 180% of rated current: 15s 200% of rated current: 2s
I/O resource	5DI, 2DO, 2RO, 2AI, 2AO, 1PFI, 1PFO
Control Mode	VF, SVC, FVC
DBU/	DBU: ≤22kW built-in, 30-160kW optional internal
DC reactor	90-375kW built-in DC Reactor, others optional
Features	Integrated internal logic control function, Built-in Modbus, optional IO/ Encoder/ Communication card (Profibus, Profinet, EtherCAT) / LCD display

Rated specifications

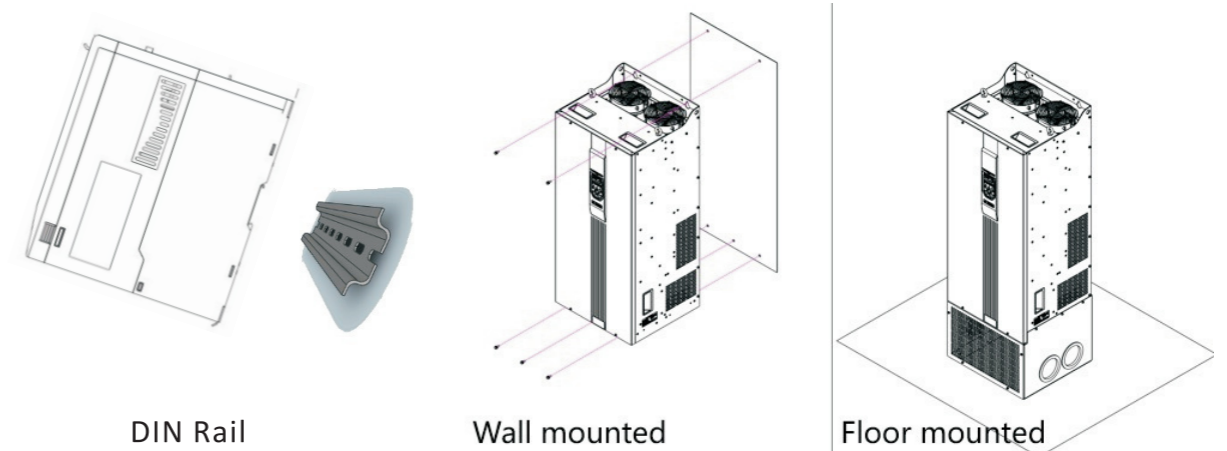
400V class:

Inverter model	Rated capacity (kVA)	Rated output current (A)	Adaptive motor(kW)	Inverter model	Rated capacity (kVA)	Rated output current (A)	Adaptive motor(kW)
Hope530G0.75T4B*	1.6	2.5	0.75	Hope530G55T4**	74	112	55
Hope530G1.5T4B*	2.4	3.7	1.5	Hope530G75T4**	99	150	75
Hope530G2.2T4B*	3.6	5.5	2.2	Hope530G90T4*L	116	176	90
Hope530G4T4B*	6.4	9.7	4	Hope530G110T4L	138	210	110
Hope530G5.5T4B*	8.5	13	5.5	Hope530G132T4L	167	253	132
Hope530G7.5T4B*	12	18	7.5	Hope530G160T4L	200	304	160
Hope530G11T4B*	16	24	11	Hope530G200T4L	248	377	200
Hope530G15T4B*	20	30	15	Hope530G220T4L	273	415	220
Hope530G18.5T4B*	25	38	18.5	Hope530G250T4L	310	475	250
Hope530G22T4B*	30	45	22	Hope530G280T4L	342	520	280
Hope530G30T4**	40	60	30	Hope530G315T4L	389	590	315
Hope530G37T4**	49	75	37	Hope530G375T4L	460	705	375
Hope530G45T4**	60	91	45	-	-	-	-

660v class:

Inverter model	Rated capacity (kVA)	Rated output current (A)	Adaptive motor(kW)	Inverter model	Rated capacity (kVA)	Rated output current (A)	Adaptive motor(kW)
Hope530G18.5T6*L	25	22	18.5	Hope530G132T6L	176	148	132
Hope530G22T6*L	29	25	22	Hope530G160T6L	195	171	160
Hope530G30T6*L	38	33	30	Hope530G200T6L	240	210	200
Hope530G37T6*L	51	45	37	Hope530G220T6L	274	240	220
Hope530G45T6*L	62	54	45	Hope530G250T6L	328	287	250
Hope530G55T6*L	74	65	55	Hope530G280T6L	360	315	280
Hope530G75T6*L	103	86	75	Hope530G315T6L	406	355	315
Hope530G90T6L	116	102	90	Hope530G375T6L	440	385	375
Hope530G110T6L	138	122	110	—	—	—	—

Installation



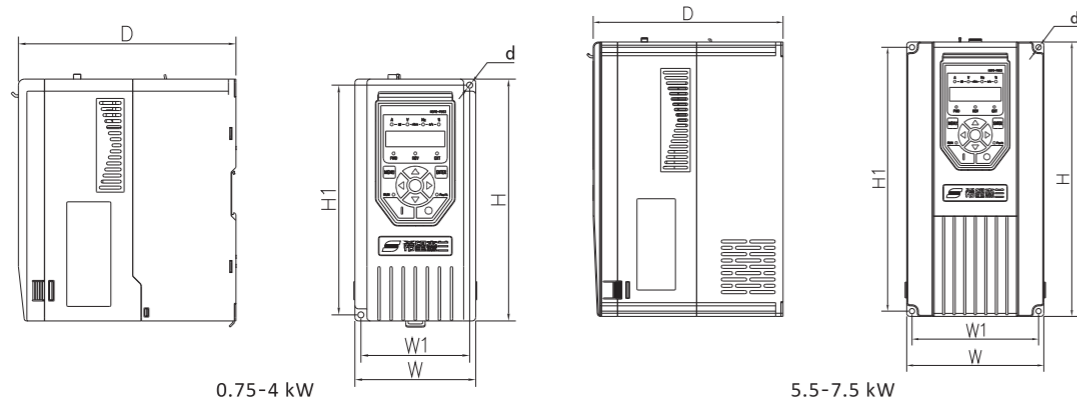
DIN Rail

Wall mounted

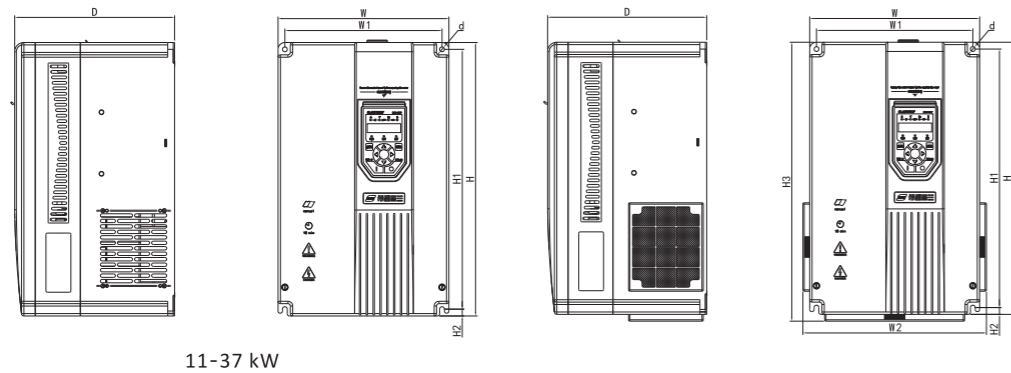
Floor mounted

Dimension

Inverter model	W(mm)	W1(mm)	H(mm)	H1(mm)	D(mm)	d(mm)	Weight with reactor (kg)	Weight without reactor (kg)
Hope530G0.75T4B*	100	90	200	190	180	5	2.1	1.8
Hope530G1.5T4B*	100	90	200	190	180	5	2.1	1.8
Hope530G2.2T4B*	100	90	200	190	180	5	2.1	1.8
Hope530G4T4B*	100	90	200	190	180	5	2.1	1.8
Hope530G5.5T4B*	130	120	260	250	180	5	3.7	3.4
Hope530G7.5T4B*	130	120	260	250	180	5	3.7	3.4

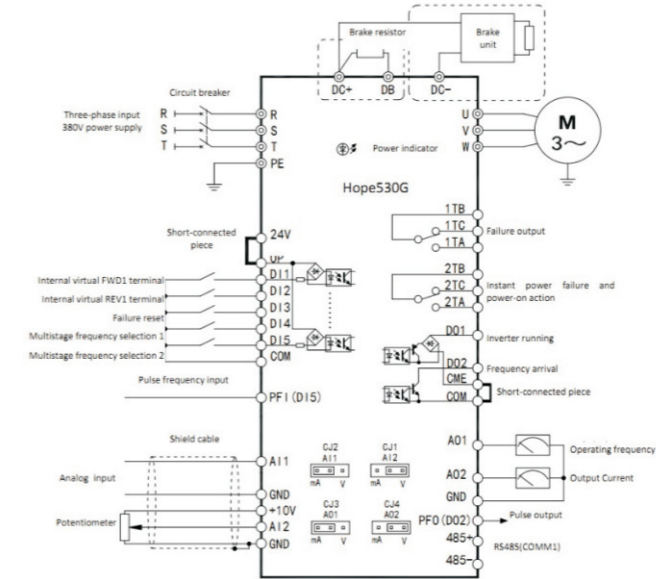


Inverter model	W(mm)	W1(mm)	W2(mm)	H(mm)	H1(mm)	H2(mm)	H3(mm)	D(mm)	d(mm)	Weight with reactor (kg)	Weight without reactor (kg)
Hope530G11T4B*	170	160	190	300	290	5	310	192	5	5.7	5.2
Hope530G15T4B*	170	160	190	300	290	5	310	192	5	5.7	5.2
Hope530G18.5T4B*	208	195	230	352	337	5	360	203	6	10.5	7.6
Hope530G22T4B*	208	195	230	352	337	5	360	203	6	11	7.7
Hope530G30T4**	248	230	270	400	382	10	410	234	7	18.5	12.5
Hope530G37T4**	248	230	270	400	382	10	410	234	7	19.5	12.5

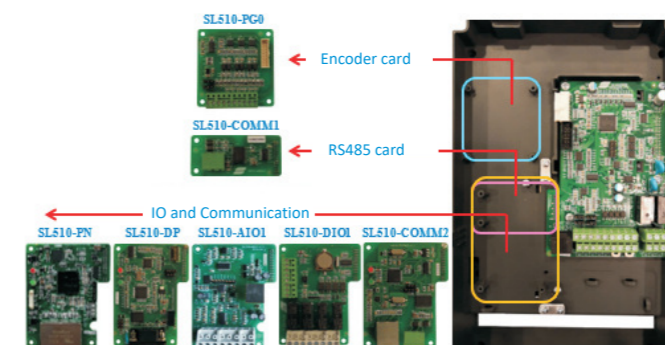


Inverter model	W(mm)	W1(mm)	H(mm)	H1(mm)	H2(mm)	H3(mm)	D(mm)	d(mm)	R(mm)	Weight with reactor(kg)	Weight without reactor(kg)
Hope530G45T4**	300	245	545	525	10	620	300	10	5	33.5	29.1
Hope530G55T4**	300	245	545	525	10	620	300	10	5	34.3	29.1
Hope530G75T4**	340	270	580	562	10	676	326	10	5	63.2	50.9
Hope530G90T4*L	340	270	580	562	10	676	326	10	5	63.2	—
Hope530G110T4*L	340	270	580	562	10	676	326	10	5	63.2	—
Hope530G132T4*L	400	320	915	895	10	1013	355	10	5	92.5	—
Hope530G160T4*L	400	320	915	895	10	1013	355	10	5	92.5	—
Hope530G200T4L	440	300	1000	975	10	1170	395	11	5.5	118	—
Hope530G220T4L	440	300	1000	975	10	1170	395	11	5.5	118	—
Hope530G250T4L	485	300	1130	1100	12	1300	400	12	6	145	—
Hope530G280T4L	485	300	1130	1100	12	1300	400	12	6	145	—
Hope530G315T4L	650	490	1150	1125	10	1320	400	11	5.5	190	—
Hope530G375T4L	650	490	1150	1125	10	1320	400	11	5.5	192.5	—

Wiring diagram

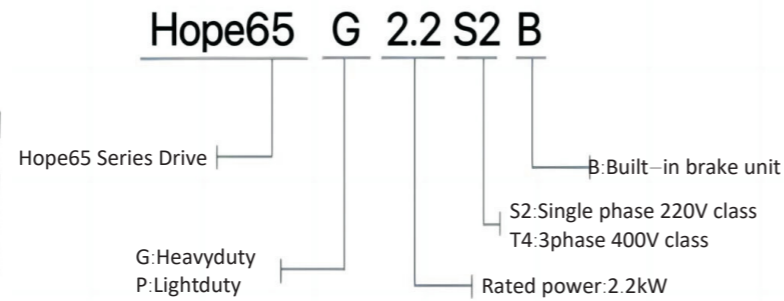


Extension Card



Hope65 Series Smart VFD

AC220V / 380V 0.75~22kW



Product features

- Support V/F and Vector control
- Standard RS485 interface
- Integrated G/P mode
- Output 0~500Hz
- Built-in DBU
- Automatic torque boost
- Removable keypad
- Linear/S-curve acceleration and deceleration

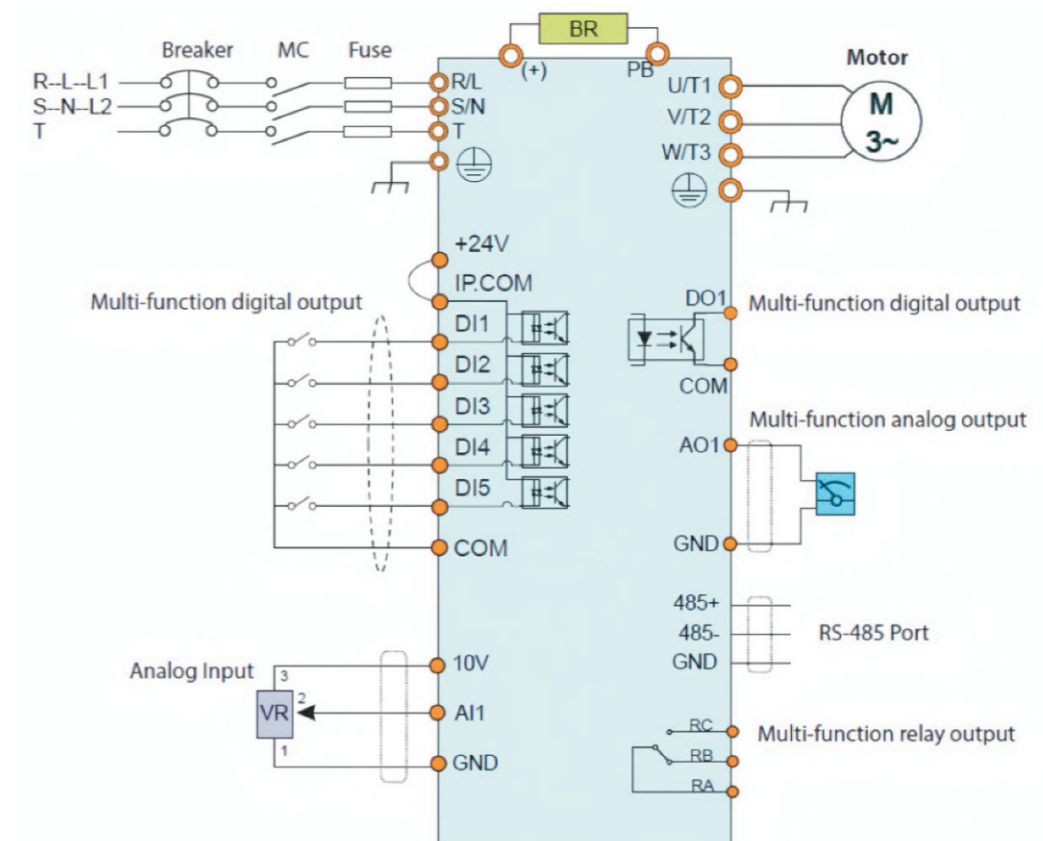
Rated parameters

Voltage	Model	Capacity kVA	Rated input current / A	Rated output current / A	Motor kW
-S2	Hope65G0.75S2B	1.5	8.2	4	0.75
	Hope65G1.5S2B	3	14	7	1.5
	Hope65G2.2S2B	4	23	9.6	2.2
	Hope65G4S2B	5.9	32	17	4
	Hope65G5.5S2B	8.5	45	25	5.5
-4	Hope65G0.75/P1.5T4B	1.5	3.4	2.1	0.75/1.5
	Hope65G1.5/P2.2T4B	2.4	5	3.8	1.5/2.2
	Hope65G2.2/P4T4B	3.6	5.8	5.1	2.2/4
	Hope65G4/P5.5T4B	6	10.5	9	4/5.5
	Hope65G5.5/P7.5T4B	8.5	13.9	13	5.5/7.5
	Hope65G7.5/P11T4B	12	18.9	17	7.5/11
	Hope65G11/P15T4B	16	27.8	25	11/15
	Hope65G15/P18.5T4B	20	37.9	32	15/18.5
	Hope65G18.5/P22T4B	25	46.7	37	18.5/22
Hope65G22/P30T4B	30	55.6	45	22/30	

Product specification

Functional Descriptions		Specifications
INPUT	Input voltage	AC 1PH, 220V(-15%)~240V(+10%) AC 3PH, 380V(-15%)~440V(+10%)
	Rated frequency	50/60 Hz
	Frequency range	±5%
OUTPUT	Output voltage	0-Input Voltage
BASIC PARAMETERS	Output frequency	Vector control: 0~500Hz V/F control: 0~500Hz
	Overload capacity	150% of rated current: 60 seconds 170% of rated current: 12 seconds 190% of rated current: 1.5 seconds
	V/F curve	3 types: Linear, Multi-point, square curve (1.2 power, 1.4 power, 1.6 power, 1.8 power, 2 power)
	DC braking	DC braking frequency: 0.00Hz ~ Maximum frequency Braking time: 0.0s~36.0s, Braking current value: 0.0%~100.0%
	JOG control	JOG frequency range: 0.00Hz ~ Maximum frequency (5Hz in default) JOG acceleration and deceleration time: 0.0s~6500.0s
	Braking unit	Built-in braking unit
	Communication	Built-in RS485

Standard wiring



SB200 Series 400v class 1.5~400kw

Products Characteristics



- High-performance optimized voltage space vector V/F algorithm with high efficiency, low noise and low electromagnetic interference.
- 1.5~22KW SB200 inverters are equipped with build-in braking unit.
- High-performance bipolar PID with correction function is convenient for closed-loop control.
- Motor speed search function allows smooth start for various loads such as centrifuges and dewatering machines anytime.
- Built-in software special for constant pressure water supply system enables one drive to control two pumps simultaneously without adding extra expansion unit.
- English LCD control panel with friendly human-computer interface.
- Real time clock timing control

Common specifications

Item	Description	
Input	Rated Voltage/Frequency Range	3-phase, 400v class Voltage: 380-480V; voltage unbalance:<3%; frequency: 47-63Hz
	Output Voltage	3-phase; 0v-input voltage; error: below 5%
Output	Output Frequency	0.00-400.00Hz
	Overload Capacity	110% of rated current; 1 minute
	Frequency Resolution	Digital setting: 0.01Hz; analog setting: 0.1% of max frequency
	Output Frequency Accuracy	Analog setting: ± 0.2% of max frequency (25 ± 10°C); digital setting: 0.01Hz (-10~+40°C)
	Command Execution Channel	Settings may be configured via the control panel, control terminal or communication port. Switching is enabled via the terminal
	Frequency Setting Channel	Control panel, communication port, UP/DOWN adjustment, AI1, AI2, AI3 or PFI
	Auxiliary Frequency Setting	Flexible auxiliary frequency micro-adjustment and frequency setting synthesis
	Torque Elevation	Auto/manual torque elevation
	V/F Curve	Customizable V/F curves, linear V/F curves and 5 torque reduction characteristic curves
	Jogging	Jogging frequency range: 0.10-50.00Hz; jogging acceleration/deceleration time: 0.1-60.0s
	Auto Energy Saving	Load-based auto V/F optimization, capable of auto energy saving
	AVR	When the grid voltage fluctuates within a specified range, the inverter can automatically maintain a constant output voltage
	Auto Carrier Regulation	Auto carrier regulation based on load characteristics and ambient temperature
	Random PWM	Tone adjustment for an operating motor
	Instantaneous Power Failure Solution	Uninterrupted operation via busbar voltage regulation in the event of an instantaneous power failure
	DC Braking	Braking time: 0.0-60.0s; braking current: 0.0-100.0% of rated current
	PFI	Max input frequency: 50kHz
	PFO	Connector open circuit-type pulse square wave signal output; programmable
	Analog Input	3-channel analog signal input; options for voltage/current modes; capable of positive/negative input
	Analog Output	2-channel analog signal output; options for 0/4-20mA or 0/2-10V; programmable
Digital Input	8-channel multifunctional digital input	
Digital Output	2-channel multifunctional collector open-circuit output; 5-channel multifunctional relay output	
Communication	Inbuilt RS48S communication interface supporting Modbus protocol and USS commands	
Feature	Process Identification	Two PID parameter systems and multiple correction modes
	Water Supply Mode	Multiple water supply modes: fire water control, water injection control, clean water pool inspection, wastewater pool inspection, drainage pump control, sleeping, pump change at regular intervals and pump overhaul
	Custom Menu	30 user parameters can be customized
	Change of Parameter Display	Parameter display different from the factory settings is supported
Protection	KWH Meter	Convenient for adjustment of the optimized energy saving schemes
	Protection	Protection is available for overcurrent, overvoltage, undervoltage, input/output phase lack, output short-circuit, overheat, motor overload, external fault, analog input disconnection, stall prevention, etc.
Options	Options	Braking units, extension cords for control panel, remote control box, digital I/O extension boards, relay extension boards, control panel capable of parameter copying (SB-PU70E) and LCD-display control panel (SB-PU200)
	Application	Indoors; an elevation below 1,000m; away from exposure to direct sunlight, dust, corrosive gases, combustible gases, oil mist, water vapor, drippings and saline mist
	Ambient Temperature/Humidity	-10 ~ +40°C / <90% RH; no condensate or dew
	Storage Temperature	-20 ~ +60°C
Environment	Vibration	Below 5.9m/s ² (0.6g)
	IP Rating	IP20
	Cooling Mode	Force air cooling with fan control

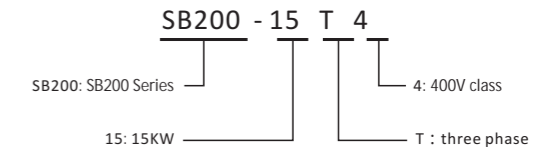
SB200 Series fan/pump frequency drive

400v class 1.5~400kw

Applicable domains

The products can be extensively applicable to Waving, Printing & Dying, Washing, Cable, Package, Machinery, constant pressure water supply, constant temperature control and all kinds of OEM

Description of type

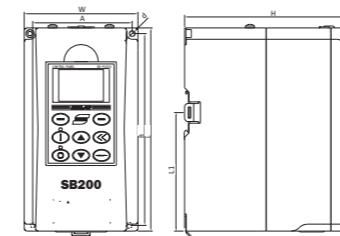


Specification

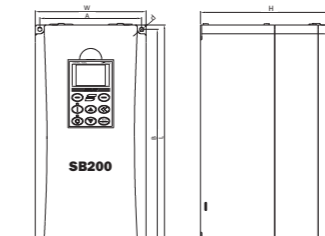
Model	Rated Capacity (KVA)	Turpo and Pump (110% IN 1 minute for every 10 minutes)		General load (150% lhd 1 minute for every 10 minutes)	
		Rated output current (A)	Applicable motor (kW)	Rated output current (A)	Applicable motor (kW)
SB200-1.5T4	2.4	3.7	1.5	3	1.1
SB200-2.2T4	3.6	5.5	2.2	3.7	1.5
SB200-4T4	6.4	9.7	4	5.5	2.2
SB200-5.5T4	8.5	13	5.5	9.7	4
SB200-7.5T4	12	18	7.5	13	5.5
SB200-11T4	16	24	11	18	7.5
SB200-15T4	20	30	15	24	11
SB200-18.5T4	25	38	18.5	30	15
SB200-22T4	30	45	22	38	18.5
SB200-30T4	40	60	30	45	22
SB200-37T4	49	75	37	60	30
SB200-45T4	60	91	45	75	37
SB200-55T4	74	112	55	91	45

Model	Rated Capacity (KVA)	Turpo and Pump (110% IN 1 minute for every 10 minutes)		General load (150% lhd 1 minute for every 10 minutes)	
		Rated output current (A)	Applicable motor (kW)	Rated output current (A)	Applicable motor (kW)
SB200-75T4	99	150	75	112	55
SB200-90T4	116	176	90	150	75
SB200-110T4	138	210	110	176	90
SB200-132T4	167	253	132	210	110
SB200-160T4	200	304	160	253	132
SB200-200T4	248	377	200	304	160
SB200-220T4	273	415	220	377	200
SB200-250T4	310	475	250	415	220
SB200-280T4	342	520	280	475	250
SB200-315T4	389	590	315	520	280
SB200-375T4	460	705	375	590	315
SB200-400T4	490	760	400	705	375

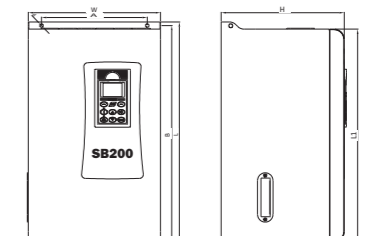
Outline Drawing of the SB200 Series (SB200-1.5T4—5.5T4) (Installable with a standard DIN Guide Rail)



Outline Drawing of the SB200 Series (SB200-1.5T4—5.5T4) (Installable with a standard DIN Guide Rail)



Outline Drawing of the SB200 Series (SB200-7.5T4~22T4)



Outline Drawing of the SB200 Series (SB200-30T4 and above)

Model	W (mm)	L (mm)	L1 (mm)	H (mm)	A (mm)	B (mm)	D (mm)
SB200-1.5T4	100	180	105	157	87.5	170	4.5
SB200-2.2T4	100	180	105	157	87.5	170	4.5
SB200-4T4	135	240	140	170	125	230	4.5
SB200-5.5T4	135	240	140	170	125	230	4.5
SB200-7.5T4	150	300	-	195	138	288	5.5
SB200-11T4	150	300	-	195	138	288	5.5
SB200-15T4	200	380	-	225	185	367	7
SB200-18.5T4	200	380	-	225	185	367	7
SB200-22T4	200	380	-	225	185	367	7
SB200-30T4	275	470	440	256	200	455	8
SB200-37T4	275	470	440	256	200	455	8
SB200-45T4	280	570	520	290	200	550	10
SB200-55T4	280	570	520	290	200	550	10

Model	W (mm)	L (mm)	L1 (mm)	H (mm)	A (mm)	B (mm)	D (mm)
SB200-75T4	310	680	630	330	220	660	10
SB200-90T4	310	680	630	330	220	660	10
SB200-110T4	350	800	750	330	220	780	12
SB200-132T4	350	800	750	330	220	780	12
SB200-160T4	410	940	884	318	300	920	12
SB200-200T4	410	940	884	318	300	920	12
SB200-220T4	410	940	884	318	300	920	12
SB200-250T4	500	1060	1000	355	320	1038	12
SB200-280T4	500	1060	1000	355	320	1038	12
SB200-315T4	650	1180	1110	360	540	1152	13
SB200-375T4	650	1250	1180	360	540	1222	13
SB200-400T4	650	1250	1180	360	540	1222	13

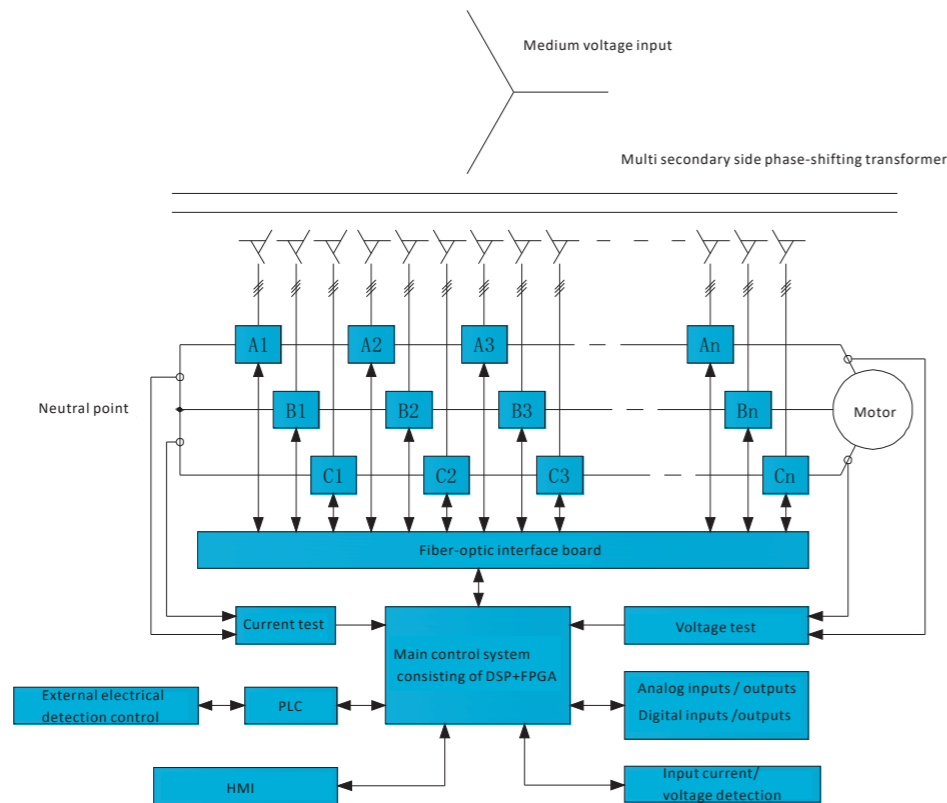
SBH 3kV-13.8kV Series Medium-voltage frequency drive

Product Features



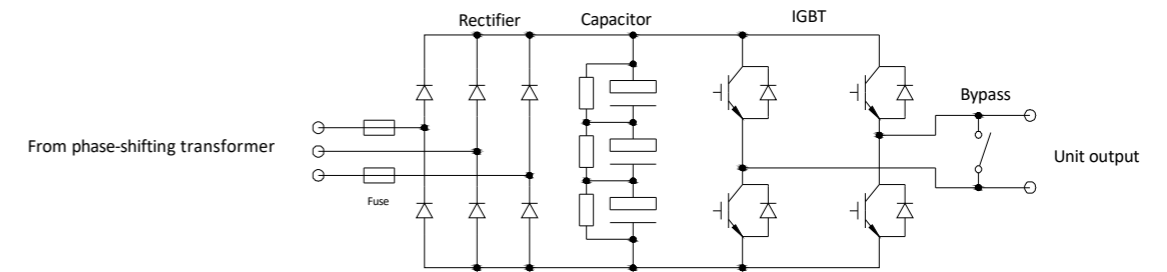
- Integrated design
- Dual power redundancy technology
- Modular design of units
- Automatic current limiting technology
- Multifunctional HMI design
- AVR function
- Anti-interference design technology
- Controllable excitation regulating technology
- "3-Full" test
- Built-in soft PLC function
- Speed tracking startup
- Undisturbed switching technology (optional)
- Anti-voltage sag technology
- Unique master-slave control technology (optional)

System Principle



Principle Block Diagram of SBH Series Medium voltage Frequency Converter System

Power cell



Specification

Model	Rated capacity (kVA)	Rated output current (A)	Applicable motor (kW)	Model	Rated capacity (kVA)	Rated output current (A)	Applicable motor (kW)
SBH-030-160	200	39	160	SBH-030-800	1000	192	800
SBH-030-200	250	49	200	SBH-030-900	1125	216	900
SBH-030-220	275	54	220	SBH-030-1000	1250	240	1000
SBH-030-250	315	61	250	SBH-030-1120	1400	276	1120
SBH-030-280	350	68	280	SBH-030-1250	1563	308	1250
SBH-030-315	400	77	315	SBH-030-1400	1750	345	1400
SBH-030-355	450	86	355	SBH-030-1600	2000	395	1600
SBH-030-400	500	96	400	SBH-030-1800	2250	443	1800
SBH-030-450	560	108	450	SBH-030-2000	2500	493	2000
SBH-030-500	630	120	500	SBH-030-2240	2800	552	2240
SBH-030-560	700	135	560	SBH-030-2500	3150	616	2500
SBH-030-630	800	154	630	SBH-030-2800	3500	690	2800
SBH-030-710	900	171	710	SBH-030-3150	4000	778	3150

Rated voltage: 6kV

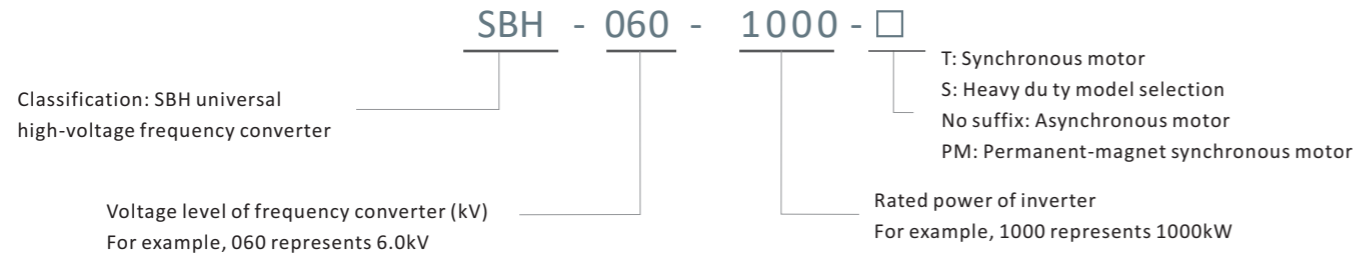
SBH-060-160	200	20	160	SBH-060-1120	1400	138	1120
SBH-060-200	250	25	200	SBH-060-1250	1600	154	1250
SBH-060-220	275	28	220	SBH-060-1400	1750	173	1400
SBH-060-250	315	31	250	SBH-060-1600	2000	198	1600
SBH-060-280	350	35	280	SBH-060-1800	2250	222	1800
SBH-060-315	400	39	315	SBH-060-2000	2500	247	2000
SBH-060-355	450	44	355	SBH-060-2240	2800	277	2240
SBH-060-400	500	50	400	SBH-060-2500	3150	309	2500
SBH-060-450	560	56	450	SBH-060-2800	3500	346	2800
SBH-060-500	630	62	500	SBH-060-3150	4000	384	3150
SBH-060-560	700	69	560	SBH-060-3550	4500	439	3550
SBH-060-630	800	78	630	SBH-060-4000	5000	495	4000
SBH-060-710	900	88	710	SBH-060-4500	5600	557	4500
SBH-060-800	1000	99	800	SBH-060-5000	6300	619	5000
SBH-060-900	1125	111	900	SBH-060-5600	7000	693	5600
SBH-060-1000	1250	123	1000	SBH-060-6300	7900	780	6300

Rated voltage: 10kV

SBH-100-200	250	15	200	SBH-100-1600	2000	115	1600
SBH-100-250	315	19	250	SBH-100-1800	2250	130	1800
SBH-100-280	350	21	280	SBH-100-2000	2500	144	2000
SBH-100-315	400	24	315	SBH-100-2240	2800	162	2240
SBH-100-355	450	27	355	SBH-100-2500	3150	182	2500
SBH-100-400	500	30	400	SBH-100-2800	3500	205	2800
SBH-100-450	560	34	450	SBH-100-3150	4000	230	3150
SBH-100-500	630	38	500	SBH-100-3550	4500	260	3550
SBH-100-560	700	42	560	SBH-100-4000	5000	290	4000
SBH-100-630	800	47	630	SBH-100-4500	5600	324	4500
SBH-100-710	900	53	710	SBH-100-5000	6300	360	5000
SBH-100-800	1000	60	800	SBH-100-5600	7000	403	5600
SBH-100-900	1125	68	900	SBH-100-6300	7900	454	6300
SBH-100-1000	1250	75	1000	SBH-100-7100	8900	510	7100
SBH-100-1120	1400	84	1120	SBH-100-8000	10000	580	8000
SBH-100-1250	1600	94	1250	SBH-100-9000	11250	653	9000
SBH-100-1400	1750	105	1400	SBH-100-10000	12500	725	10000

* For more information please contact SLANVERT.

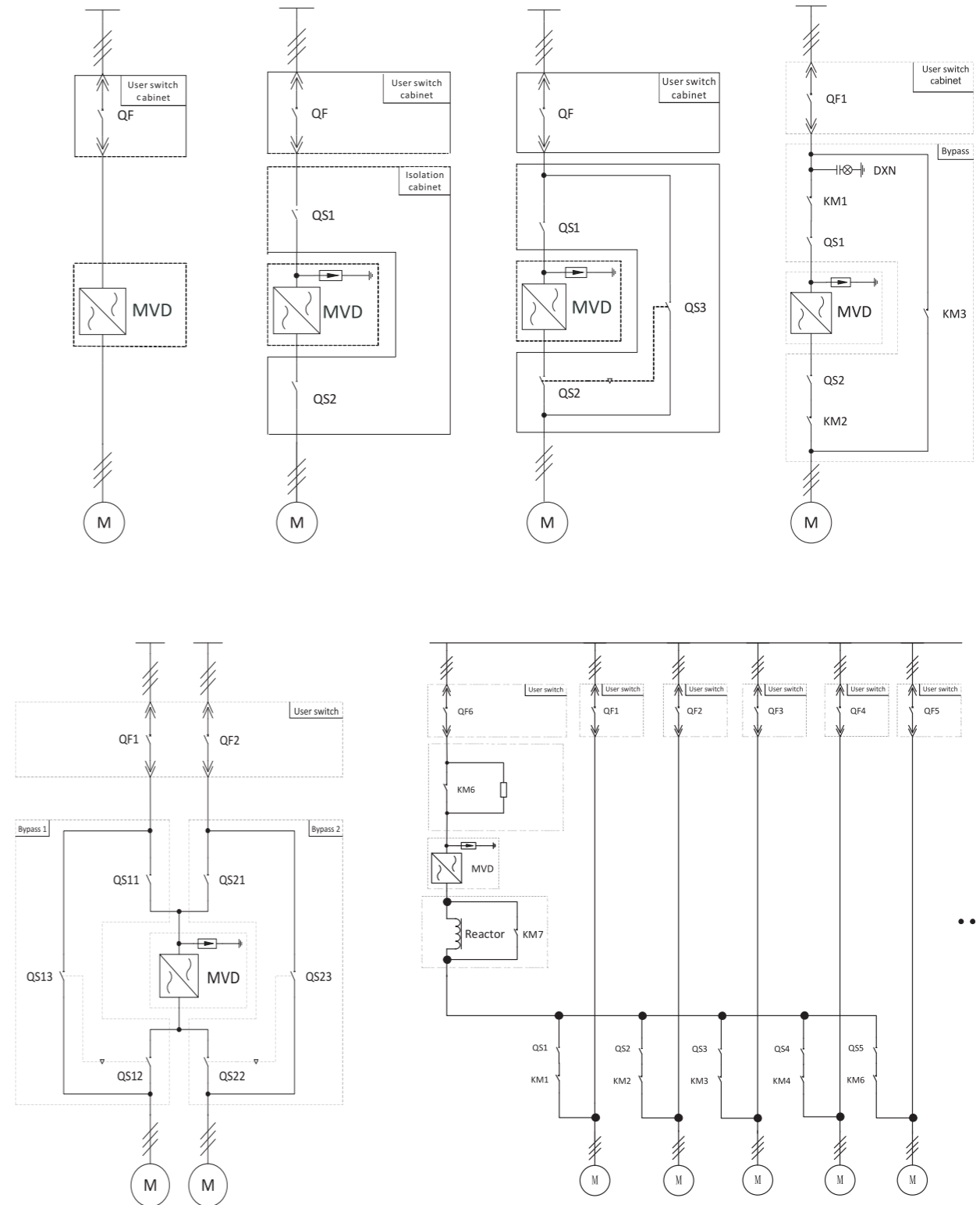
Model Description



Technical Parameters

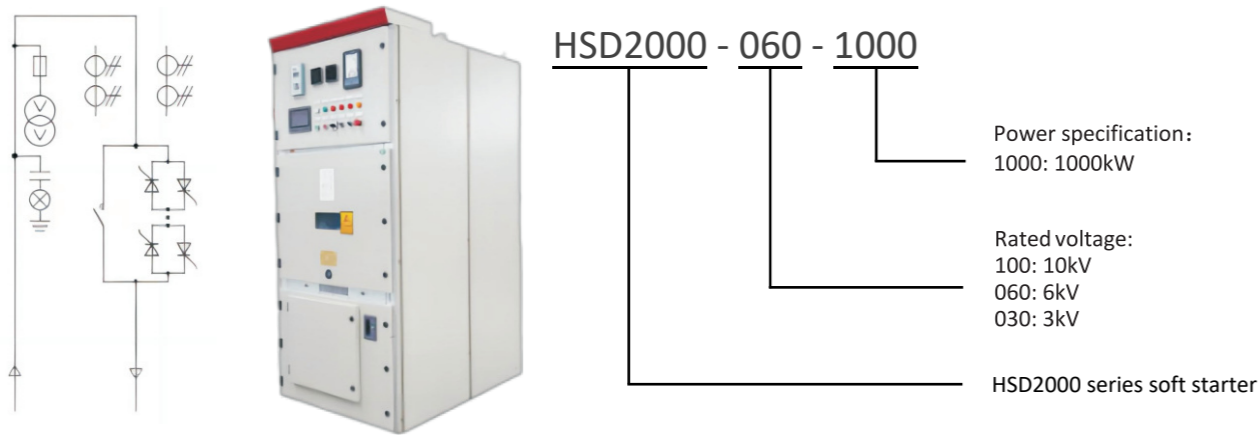
Content	Parameters	Remarks
Input	Rated input voltage	Three-phase, 3~13.8kV±10%
	Rated input frequency	50/60Hz ± 3%
	Ripple voltage	Grid voltage drop within 35%, MVD operates by derating
	Power factor	≥ 0.96 (load>20%)
Output	Rated output voltage	3~13.8kV±10%
	Output current rating	
	Output power range	160kW~50MW
Basic performance	Overload capacity	120% 120s, 150% 5s, 200% immediately protection
	Inverters efficiency	98.5%
	Frequency resolution	0.01Hz
Control interface	Display	Multilingual HMI, capable of simultaneously displaying basic electrical parameters such as input (output) voltage, current, power, power factor, as well as real-time operation status of frequency converters, alarm fault recording, and event recording functions
	Setting	Multifunctional parameter settings
Control	Operation	Local touch control, DCS and on-site operation box remote control, upper computer communication control
	Motor control mode	Without PGV/F control, with PGV/F control, without PG vector control, with PG vector control
	Acceleration/ deceleration times	0.1~3600.0S adjustable
	Analog input/output quantity	3 channels AI, 4 channel AO Voltage type and current type can be set Input frequency, output current, and output frequency can be set There are 7 types that can be set, including 0 (4) ~20mA, and 0 (2) ~10V, etc
	Digital input/output quantity	8-circuit digital input, 5-circuit digital output (scalable) 38 digital input functions such as internal virtual REV/FWD and forward/reverse jog can be set 52 digital output functions such as alarm/fault output and forward/reverse operation status can be set
	Communication function	RS485, MODBUS-RTU (standard configuration) PROFIBUS-DP (optional), TCP/IP (optional)
	Control power capacity	Single phase 220VAC/3kVA, 50/60HZ (DC power supply optional according to project requirements)
	Main control functions	Instantaneous power failure restart, torque increase, avoidance frequency, and unit bypass "Gallop" start, system self-diagnosis, and system power frequency bypass
	Protection	Overcurrent, overload, short circuit, three-phase current imbalance, instantaneous power loss, input (output) phase loss, overvoltage, undervoltage, converter overheating, external fault shutdown (NO and NC), and Power cell automatic bypass, etc.
	Environment and others	Ambient temperature/humidity
Storage temperature		-40~70°C
Altitude		<2000m, derated above 2000m
Cooling mode		Forced air cooling
Degree of protection		IP31
Application site	Indoor, no explosive or corrosive gases, no conductive dust, and no oil mist	

Typical Solution



HSD2000 Motor Solid State Soft Starter

Model Description



Product Specification

	Items	Descriptions
Base	Rated voltage, frequency	3 phases: 3kV/6kV/10kV, 50Hz/60Hz
	Load type	3-Phase medium-high voltage squirrel-cage asynchronous/synchronous motor
	Signal transmission	Optical fiber
	Voltage sharing protection	RC protection circuit
	SCR peak voltage	6500V/pcs.
	Machine efficiency	99.9%
	Overload capacity	125% full load current continuous operation 400% full load current operation for 60 seconds 500% full load current operation for 30 seconds >6 times full load current 1 cycle waveform
Performance	Inching	voltage 0-100%
	Promote	voltage 40-100%
	Starting point of slope:	initial voltage 10-50%
	Current limit starts	Current limit: 100-500%, protection time: 1-200 sec.
	Soft Stop	1-30 sec.
	Docking stop	Docking stop
	Control method	Control panel, external, infrared remote control, RS485
	Main circuit	6 inputs and 3 outputs
	Continuous start interval	When the ambient temperature is >40°C and the starting current is >400%le, the interval is >=15 minutes. When the temperature is low and the starting current is relatively small, the gap can be appropriately reduced, but >6 minutes
	Starting current	<= 400% rated motor current
Environment	Height	Altitude below 1000 m (above 1000 m requires derating)
	Operation	-10~+40°C
	Humidity	5%~95%, no condensation of water droplets
	Vibration	<5.9 m/s ² (0.6 g)

Product Features

- Modular design
- 32-bit ARM+DSP control
- 3 sets of motor parameters
- Multiple viewing modes
- Built-in silicon controlled BOD protection
- Powerful protection function
- Optical fiber communication brings high reliability

Technical Features

- Built-in temperature sensor
- Supports soft start for uninterrupted repeated starts
- With complete motor protection function
- With output short circuit protection function
- Closed-loop control voltage ramp starting technology
- With intelligent bypass control technology
- Unique anti-accidental parking function

Converter Type Selection

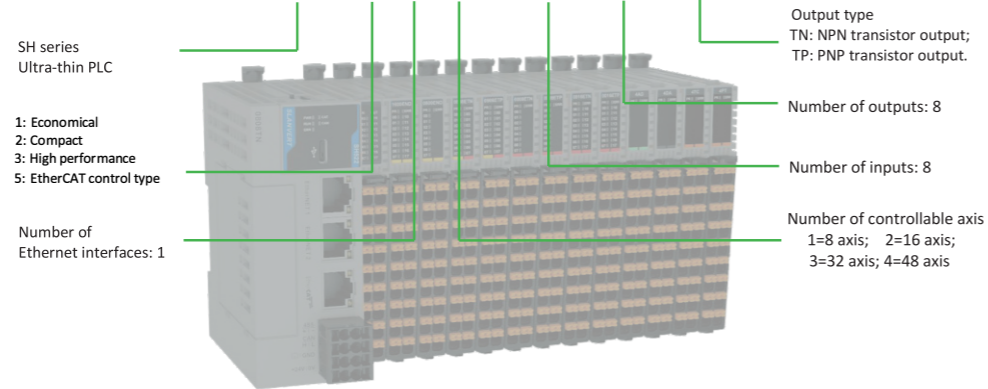
Type	Voltage Level (kV)	Rated current (A)	Cabinet dimension		
			Height (mm)	Width (mm)	Depth (mm)
HSD2000-030-500	3	113	2300	1000	1500
HSD2000-030-900	3	204	2300	1000	1500
HSD2000 030 1250	3	283	2300	1200	1500
HSD2000-030-1800	3	408	2300	1500	1500
HSD2000-030-2000	3	453	2300	1500	1500
HSD2000-030-2000 above	3	>450	Pre-order		
HSD2000-060-500	6	57	2300	1000	1500
HSD2000-060-1000	6	113	2300	1000	1500
HSD2000-060-1500	6	170	2300	1000	1500
HSD2000-060-2000	6	226	2300	1000	1500
HSD2000-060-2500	6	283	2300	1200	1500
HSD2000-060-3000	6	340	2300	1200	1500
HSD2000-060-3500	6	396	2300	1500	1500
HSD2000-060-4000	6	453	2300	1500	1500
HSD2000-060-4000 above	6	>450	Pre-order		
HSD2000-100-500	10	34	2300	1000	1500
HSD2000-100-1000	10	68	2300	1000	1500
HSD2000-100-1500	10	102	2300	1000	1500
HSD2000-100-2000	10	136	2300	1000	1500
HSD2000-100-2500	10	170	2300	1000	1500
HSD2000-100-3000	10	204	2300	1200	1500
HSD2000-100-3500	10	238	2300	1200	1500
HSD2000-100-4000	10	272	2300	1200	1500
HSD2000-100-5000	10	340	2300	1500	1500
HSD2000-100-6000	10	408	2300	1500	1500
HSD2000-100-6000 above	10	>450	Pre-order		

SH Series PLC

Model Description



SH 3 1 1 - 08 08 TN



Features

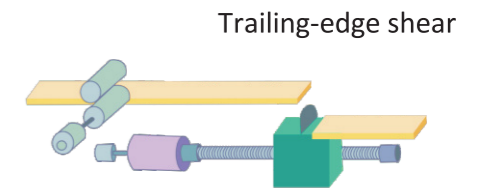
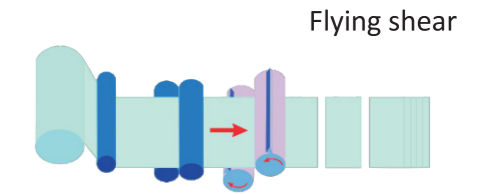
- BUS + PULSE, motion control + process control Flying shear and following cut function
- Expansion module, flexible optional expansion (expansion module for SH300/500)
- Easy to use, modular standard instructions, easy programming
- SH300/SH500 integrated E-CAM, linear and circular interpolation
- New generation upgraded processor and ultra-thin structure design
- Light-weight structure, greatly optimized assembly efficiency

SH100/200 Series*

Model	SH100-0808TN/P	SH210-0808TN/P	SH210-0808TN/P1
Features	8 NPN/PNP input 8 NPN or PNP output	8 NPN/PNP input 8 NPN or PNP output	8 NPN/PNP points, 8 NPN or PNP output 1 channel AD and DA, 0-20mA, ±1%
Supply voltage	DC24V		
Program storage capacity	16k steps	32k steps	
Basic instruction execution time	0.2 μs		
Power-off retention	FLASH permanent storage, maximum 2K Bytes	84k Bytes user software components 20k Bytes power-off data retention	
Programming language	LD, IL, SFC		
Digital input type	NPN and PNP		
Rated Voltage	DC24V, 4mA		
Logic 1 (voltage range)	>15V DC		
Logic 0 (voltage range)	<5V DC		
Filter	X0~X7 have digital filtering function, filtering time 0~60ms Other terminals adopt hardware filter, about 10ms		
High-speed counter	X0/X1: 50kHz, X2-X7: 10kHz	X0/X1: 50kHz, X2-X7: 10 kHz	
Highest pulse output (transistor)	3 channel 100kHz: Y0-Y2	4 channels 100kHz: Y0-Y3	
Interface	Port 0: RS232; Port 1: RS485; 1 USB	Port 0: RS232; Port 1: RS485; 1 USB, 1 Ethernet (ModbusTCP, master or slave)	
Baud rate	1.2kbps~115.2kbps	1.2kbps~115.2kbps	
Communication protocol	Modbus/Free port/N:N		
USB communication	USB2.0, Type C. Supports program upload and download, monitoring, solid-state software upgrade.		

*: SH100 not support expansion module, SH200/300/500 support expansion module.

SH300 series



Model	SH301-0808TN	SH301-0808TP	SH311-0808TN	SH311-0808TP
Features	8 points DC24V input 8 points NPN output 1 serial port 1 USB 8*200kHz input/output	8 points DC24V input 8 points PNP output 1 serial port 1 USB 8*200kHz input/output	8 points DC24V input 8 points NPN output 1 serial port 1 USB 1 CANopen 1 Ethernet 8*200kHz input/output	8 points DC24V input 8 points PNP output 1 serial port 1 USB 1 CANopen 1 Ethernet 8*200kHz input/output
Supply voltage	DC24V			
Program storage capacity	200K Bytes			
Power-off retention	128K Bytes user soft components, about 84K Bytes power off retention; 1M Bytes custom variables, of which 128K Bytes power-off retention			
Programming language	LD, FBD, ST, SFC			
Right-side expansion	Max 16 pcs SH series right-side expansion module			
Left-side expansion	Max. 1 pc SH series left-side expansion module			
Real-time clock	PLC without real-time clock, can be extended with 1pc left-side RTC expansion module			
SD card	SD card can be used to upgrade the firmware update program.			
USB	USB2.0, Type C. Supports program upload and download, monitoring, solid-state software upgrade.			
Input	8-channel 200kHz high-speed pulse input, Support single-phase, dual-phase (Up/Down). AB phase (1x and 4x) counting.			
Output	8-channel 200kHz high-speed pulse output, supporting positioning control instruction group			
RS-485	bps	1.2kbps~115.2kbps		
	Protocol	With 1 communication interface, support 2 expansions, supporting Modbus/Freeport/N:N communication protocol		
	Terminal resistor	With terminal resistor, can be used as master or slave, supports up to 31 Modbus-RTU slaves		
CAN	No	Support CANopen master, supports up to 31 slaves		
EtherNET	No	Support ModbusTCP master-slave protocol, program upload, download and monitoring, support 16 slaves and 4 masters at the same time, TCP free protocol, support 4 connections		
Motion control	Support positioning control instruction group support linear and circular interpolation, electronic gear, E-CAM motion control.			

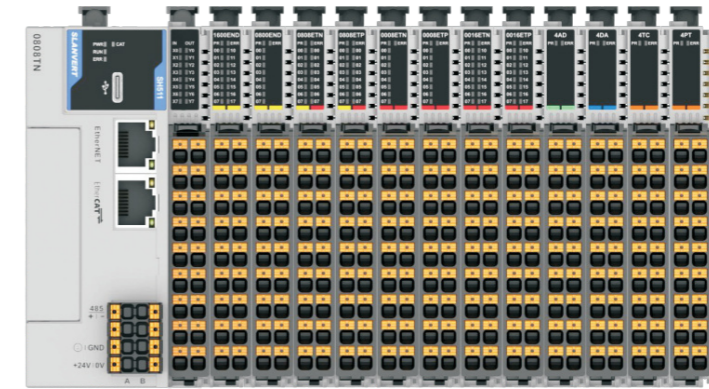
SH500 series

Motion control



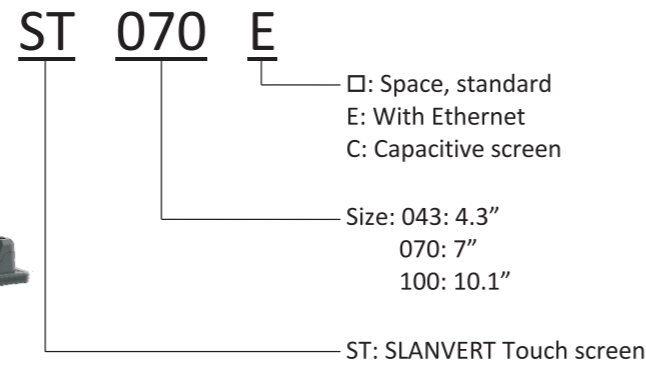
Model	SH511-0808TN	SH511-0808TP	SH522-0808TN	SH522-0808TP	SH523-0808TN	SH523-0808TP
Feature	8-point DC24V input, 8-point NPN transistor output, 1 serial port, 1 USB, 1 Ethernet, 1 EtherCAT bus, maximum 8 axis	8-point DC24V input, 8-point PNP transistor output, 1 serial port, 1 USB, 1 Ethernet, 1 EtherCAT bus, maximum 8 axis	8-point DC24V input, 8-point NPN transistor output, 1 serial port, 1 USB, 1 CANopen, 2 Ethernet, 1 EtherCAT bus, maximum 16 axis	8-point DC24V input, 8-point PNP transistor output, 1 serial port, 1 USB, 1 CANopen, 2 Ethernet, 1 EtherCAT bus, maximum 16 axis	8-point DC24V input, 8-point NPN transistor output, 1 serial port, 1 USB, 1 CANopen, 2 Ethernet, 1 EtherCAT bus, maximum 32 axis	8-point DC24V input, 8-point PNP transistor output, 1 serial port, 1 USB, 1 CANopen, 2 Ethernet, 1 EtherCAT bus, maximum 32 axis
Supply voltage	DC24V					
Program storage capacity	200K Bytes					
Power-off retention	128K Bytes user soft components, about 84K Bytes power-off retention; 1M Bytes custom variables of which 128K Bytes power-off retention					
Programming language	LD, FBD, ST, SFC					
Right-side expansion	Max. 16 pcs SH series right-side expansion module					
Left-side expansion	Max. 1 pc SH series left-side expansion module					
Real-time clock	PLC without real-time clock, can be extended with 1pc left-side RTC expansion module					
SD card	SD card can be used to upgrade the firmware update program.					
USB	USB2.0, Type C. Supports program upload and download, monitoring, solid-state software upgrade.					
Input	8 channel normal inputs		8-channel 200kHz high-speed pulse input support single-phase, dual-phase (Up/Down), AB phase (1x and 4x) counting.			
Output	8 channel normal output		8-channel 200kHz high-speed pulse output supporting positioning control instruction group			
RS485	Protocol	With 1 communication interface, support 2 expansions, supporting Modbus/Freeport/N:N communication protocol				
	Terminal resistor	With terminal resistor, can be used as master or slave, supports up to 31 Modbus-RTU slaves				
CAN	No	Supports CAN open master, supports up to 31 slaves				
Ether NET	Number of network ports	Single network port		Dual Ethernet ports correspond to single network card, two Ethernet ports share one IP, support network switching function		
	Protocol	Support Modbus TCP master-slave protocol, support program upload, download and monitoring, support 16 slaves and 4 masters at the same time. TCP free protocol, support 4 connections.				
Motion control		Support positioning control instruction group, support linear and circular interpolation, electronic gear, electronic cam motion control.				
Ether CAT	Number of axis	8 axis	16 axis	32 axis		
	Number of slaves	Up to 72 slaves (including servo axis), including real axis and virtual axis, totaling 48 axis				
	Performance of axis	Communication cycle 250us~8ms, adjustable synchronization jitter time ±80ns				

Extension modules



Type	Model	Specification	
Right-side Extension modules	SH-0808ETN	8 digital input module, 8 digital transistor NPN output module	
	SH-0808ETP	8 digital input module, 8 digital transistor PNP output module	
	SH-0016ETN	16 digital transistor NPN output module	
	SH-0016ETP	16 digital transistor PNP output module	
	SH-1600END	16 digital input module	
	SH-0800END	8 digital input module	
	SH-0008ETN	8-channel digital transistor NPN output module	
	SH-0008ETP	8-channel digital transistor PNP output module	
	SH-4AD	4-channel analog input module	
	SH-4DA	4-channel analog output module	
	SH-4PT	4-channel input thermal resistance temperature detection module	
	SH-4TC	4-channel input thermocouple temperature detection module	
	Left-side Extension modules	SH-RS485	2 channel RS485
		SH-RS485-RTC	2 channel RS485 + Real-time clock
SH-RS485-1		1 channel RS485	
SH-RS485-RTC-		1 channel RS485 + Real-time clock	
	SH-RTC	Real-time clock	

ST Series HMI



Resistive HMI Specification

Model	ST043	ST070	ST070E	ST100E	ST156E
Screen	4.3" LCD TFT	7" LCD TFT	7" LCD TFT	10.1" LCD TFT	15.6" LCD TFT
Resolution	480*272	800*480	1024*600	1024*600	1920*1080
Colors	16-bit	16-bit	24-bit	24-bit	65K
Brightness	360 cd/m ²	250 cd/m ²	350 cd/m ²	400 cd/m ²	250 cd/m ²
Backlight	LED				
Touch panel	4-wire Resistive industrial touch screen				
CPU	1GHz, Dual-core Cortex-A7			1G ARM Cortex-A8	
Storage	128M + 64M	128M + 128M	256M + 256M		256M + 512M
RTC	Built-in				
Ethernet Port	/	1*RJ45, 10/100Mbps		2* 10M/100M	
USB Port	1* Type-C OTG	1* Type-C OTG, 1*USB-A	1* Type-C OTG, 1*USB-A		1* USB Slave 2.0 1* USB Host 2.0
Download	USB Slave/ U disk (by converter)	USB Slave/ U disk	USB Slave/ U disk / Ethernet		
Serial Port	COM1:RS232/RS485/RS422 COM3: RS232	COM1:RS232/RS485/RS422 COM2: RS485 COM3: RS232	COM1: RS232/RS485/RS422 COM2: RS485 COM3: RS232		COM1:RS232/RS485/RS422 COM2: RS485/RS422 COM3:RS232/RS485/RS422
Rated Power	< 5W	< 10W	< 10W		<18W
Rated Voltage	DC24V, Range DC 9V-28V				DC24V, Range DC 18V-28V
Power Protection	With lightning surge protection				
Power Failure	< 5ms				
Operation Temp.	0 ~ 50°C				
Storage Temp.	-20 ~ 60°C				
Humidity	10 ~ 90% RH, No condensation				
Vibration	10 ~ 25Hz (X, Y, Z direction, 2g/30min)				
Ingress Protection	Front: IP65, Rear: IP20				
Certification	CE, RoHS				
Cutout Size	132*80 mm	190*136 mm	190*136 mm	260*202 mm	380*245 mm
Dimension	138*86*32 mm	204*145*34 mm	204*145*34 mm	273*213*36 mm	394*256*36 mm
Weight	About 300g	About 476g	About 476g	About 920g	About 2250g

Capacitive HMI Specification



Model	ST070C	ST100C
Screen	7" LCD TFT	10.1" LCD TFT
Resolution	1024*600	1024*768
Colors	24-bit	16-bit
Brightness	350 cd/m ²	350 cd/m ²
Backlight	LED	
Touch panel	Glass + Glass Multi-touch capacitive touch screen	
CPU	1.2GHz, 4-core Cortex-A7	
Storage	256M + 256M	
RTC	Built-in	
Ethernet Port	1*RJ45, 10/100Mbps	
USB Port	1* Type-C USB Slave 1* USB A Host	1* MicroUSB Slave 1* USB A Host
Download	USB Slave/ U disk / Ethernet	
Serial Port	COM1: RS232/RS485/RS422 COM2/COM4: RS485 COM3: RS232	
Rated Power	< 6W	<8W
Rated Voltage	DC24V, Range DC 9V-28V	
Power Protection	With lightning surge protection	
Power Failure	< 5ms	
Operation Temp.	-10 ~ 60°C	
Storage Temp.	-20 ~ 70°C	
Humidity	10 ~ 90% RH, No condensation	
Vibration	10 ~ 25Hz (X, Y, Z direction, 2g/30min)	
Ingress Protection	Front: IP65, Rear: IP20	
Certification	CE, RoHS	
Cutout Size	178*125 mm	230*180 mm
Dimension	181.5*130.9*32.6 mm	247*197*31.5 mm
Weight	About 600g	About 1100 g

IoT Module (Available for ST070E and ST100E)

Features	ST-WIFI	ST-4G	ST-4G-WIFI
Network Access	Ethernet, Wifi	Ethernet, 4G	Ethernet, 4G, WIFI
Network Band	WIFI: 802.11b/g/n compatible WLAN 802.11e QoS Enhancement WMM	4G: LTE FDD: B1/B3/B5/B8, LTE TDD: B34/B38/B39/B40/B41	4G: LTE FDD: B1/B3/B5/B8, LTE TDD: B34/B38/B39/B40/B41 WIFI: 802.11b/g/n compatible WLAN 802.11e QoS Enhancement WMM
Operation Temp.	-10 ~ 60°C		
Storage Temp.	-20 ~ 70°C		
Dimension	37*62*15.3 mm		
Weight	About 30g		
VPN Transparent Transmission	Available		
Data Monitoring	300 points		
Alarm Notification	100 points		
Remote Control	Support remote update, PLC program upload and download		



Servo

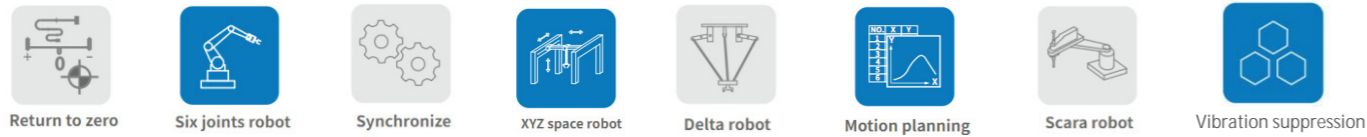


N3 Pulse Servo

N3 EtherCAT Servo

- Power range: 0.2-10kW
- Pulse Command: Pulse + Direction, AB Quadrature 4x,CW+CCW
- Supports frequency division output function
- High performance: carrier frequency: 8kHz, Current loop frequency: 16kHz, Velocity Loop Frequency: 16kHz, Position Loop Frequency: 4kHz
- High usability: support rigid table adjustment parameters, one-click self-tuning, single parameter adjustment parameters
- High speed: collector input is up to 200kHz, differential input is up to 4MHz. Smaller pulse subdivision, higher position control accuracy
- Come standard with integrated high-speed probe function

- Power range 0.2-15 kW
- EtherCAT high-speed real-time Ethernet
- Integrated SS and STo security functions
- High dynamic response, current loop period 1.6us speed loop period 62.5us, position loop period 125us
- High accuracy, 17/23 bit encoer, up to 25bit encoder
- Esy to use, such as one-click self-tuning, electronic nameplate, and vibration suppression



Industry



N3 RP-1R8SA-E-□

Code No.	Type	Code No.	Description
N3	N3:series	None	Standard type
R	Standard servo unit	SG	STO+Gantry
E	EtherCAT type	SM	STO+RS485
P	Pulse type	E	Communication encoder
4R2	Rated output current	A	Single-phase AC220V
1R8	1.8 Arms	C	Three-phase AC380V
2R8	2.8 Arms	S	Standard capacity type
3R5	3.5 Arms	P see Note 2)	Enhanced capacity type
4R2	4.2 Arms		
5R4	5.4 Arms		
6R8	6.8 Arms		
8R3	8.3 Arms		
060	6.0 Arms		

KMT M 130 H - 85B 15 EA - B O K . □ - □

None: Standard type	Type (Only for E8 specification encoders with 80mm flange and below)
L: Low inertia type	None Split
M: Medium inertia type	X Overall
H: High inertia type	None Standard
Flange	G Plastic case aviation insert, only for 40/60/80 flange
40 flange	H Metal jet, 180 flanges only
60 flange	None Optical axis
80 flange	K With key, with threaded hole
100 flange	None Without oil seal
130 flange	O With oil seal
180 flange	None Without brake
200 flange	B With brake
230 flange	Encoder
Voltage Level	E8: 17-bit multi-turn absolute encoder
None : AC220V	EA: 23-bit multiturn absolute encoder
H : AC380V	Rated Speed
Rated Power (W)	15 : 1500rpm; 20 : 2000rpm
B : x10	25 : 2500rpm; 30 : 3000rpm
C : x100	
D : x1000	
Example: 40B : 400W	

N3RP Pulse model

*For more models, please contact SLANVERT

Flange	Motor Model / E□ E8: 17-bit multi-turn absolute encoder EA: 23-bit multi-turn absolute encoder	Power cable model		Encoder cable model		Driver Model
		3m cable		3m cable		
		0: PVC ordinary fixed cable (PVC ordinary fixed cable (black))	2: PVC high flexible cable (10 million times bending)	0: PVC shielded ordinary fixed cable (2 million bends)	2: PVC shielded high flexible cable (10 million bends)	
40	KMT40-10B30E□-OK	LM-030-SAF-0.S	LM-030-SAF-2.S	LE-030-4PF-0.V	LE-030-4PF-2.V	N3RP-1R8SA-E
	KMT40-10B30E□-BOK	LM-030-SBF-0.S	LM-030-SBF-2.S			
60	KMT60-20B30E□-OK	LM-030-SAF-0.S	LM-030-SAF-2.S	LE-030-4PF-0.V	LE-030-4PF-2.V	N3RP-1R8SA-E
	KMT60-20B30E□-BOK	LM-030-SBF-0.S	LM-030-SBF-2.S			
	KMT60-40B30E□-OK	LM-030-SAF-0.S	LM-030-SAF-2.S	LE-030-4PF-0.V	LE-030-4PF-2.V	N3RP-2R8SA-E
80	KMT80-75B30E□-OK	LM-030-SAF-0.S	LM-030-SAF-2.S	LE-030-4PF-0.V	LE-030-4PF-2.V	N3RP-4R2SA-E
	KMT80-75B30E□-BOK	LM-030-SBF-0.S	LM-030-SBF-2.S			
	KMT80-10C30E□-OK	LM-030-SAF-0.S	LM-030-SAF-2.S	LE-030-4PF-0.V	LE-030-4PF-2.V	N3RP-060PA-E
	KMT80-10C30E□-BOK	LM-030-SBF-0.S	LM-030-SBF-2.S			
	KMT80-10C25E□-OK.G	LM-030-AA2-0.S	LM-030-AA2-2.S	LE-030-4P2-0.P	LE-030-4P2-2.P	N3RP-100SA-E-SM
	KMT80-10C25E□-BOK.G	LM-030-AB2-0.S	LM-030-AB2-2.S			
100	KMTM100-10C30E□-OK	LM-030-BA4-0.S	LM-030-BA4-2.S	LE-030-4P4-0.P	LE-030-4P4-2.P	N3RP-100SA-E-SM
	KMTM100-10C30E□-BOK	LM-030-BB4-0.S	LM-030-BB4-2.S			
	KMTM100-15C30E□-OK	LM-030-BA4-0.S	LM-030-BA4-2.S	LE-030-4P4-0.P	LE-030-4P4-2.P	N3RP-100SA-E-SM
	KMTM100-15C30E□-BOK	LM-030-BB4-0.S	LM-030-BB4-2.S			
	KMTM100H-10C30E□-OK	LM-030-AA4-0.S	LM-030-AA4-2.S	LE-030-4P4-0.P	LE-030-4P4-2.P	N3RP-5R4SC-E-SM
	KMTM100H-10C30E□-BOK	LM-030-AB4-0.S	LM-030-AB4-2.S			
	KMTM100H-15C30E□-OK	LM-030-AA4-0.S	LM-030-AA4-2.S	LE-030-4P4-0.P	LE-030-4P4-2.P	N3RP-6R8SC-E-SM
	KMTM100H-15C30E□-BOK	LM-030-AB4-0.S	LM-030-AB4-2.S			
	KMTM100H-20C30E□-OK	LM-030-AA4-0.S	LM-030-AA4-2.S	LE-030-4P4-0.P	LE-030-4P4-2.P	N3RP-6R8SC-E-SM
	KMTM100H-20C30E□-BOK	LM-030-AB4-0.S	LM-030-AB4-2.S			
KMTM100H-25C30E□-OK	LM-030-BA4-0.S	LM-030-BA4-2.S	LE-030-4P4-0.P	LE-030-4P4-2.P	N3RP-100SC-E-SM	
KMTM100H-25C30E□-BOK	LM-030-BB4-0.S	LM-030-BB4-2.S				
130	KMTM130-85B15E□-OK	LM-030-AA4-0.S	LM-030-AA4-2.S	LE-030-4P4-0.V	LE-030-4P4-2.V	N3RP-060PA-E
	KMTM130-85B15E□-BOK	LM-030-AB4-0.S	LM-030-AB4-2.S			
	KMTM130-13C15E□-OK	LM-030-BA4-0.S	LM-030-BA4-2.S	LE-030-4P4-0.P	LE-030-4P4-2.P	N3RP-100SA-E-SM
	KMTM130-13C15E□-BOK	LM-030-BB4-0.S	LM-030-BB4-2.S			
	KMTM130-10C20E□-OK	LM-030-AA4-0.S	LM-030-AA4-2.S	LE-030-4P4-0.V	LE-030-4P4-2.V	N3RP-060PA-E
	KMTM130-10C20E□-BOK	LM-030-AB4-0.S	LM-030-AB4-2.S			
	KMTM130-15C20E□-OK	LM-030-BA4-0.S	LM-030-BA4-2.S	LE-030-4P4-0.P	LE-030-4P4-2.P	N3RP-100SA-E-SM
	KMTM130-15C20E□-BOK	LM-030-BB4-0.S	LM-030-BB4-2.S			
	KMTM130-10C25E□-OK	LM-030-AA4-0.S	LM-030-AA4-2.S	LE-030-4P4-0.V	LE-030-4P4-2.V	N3RP-060PA-E
	KMTM130-10C25E□-BOK	LM-030-AB4-0.S	LM-030-AB4-2.S			
	KMTM130-13C25E□-OK	LM-030-AA4-0.S	LM-030-AA4-2.S	LE-030-4P4-0.P	LE-030-4P4-2.P	N3RP-100SA-E-SM
	KMTM130-13C25E□-BOK	LM-030-AB4-0.S	LM-030-AB4-2.S			
	KMTM130-15C25E□-OK	LM-030-BA4-0.S	LM-030-BA4-2.S	LE-030-4P4-0.P	LE-030-4P4-2.P	N3RP-100SA-E-SM
	KMTM130-15C25E□-BOK	LM-030-BB4-0.S	LM-030-BB4-2.S			
	KMTM130-15C30E□-OK	LM-030-BA4-0.S	LM-030-BA4-2.S	LE-030-4P4-0.P	LE-030-4P4-2.P	N3RP-100SA-E-SM
	KMTM130-15C30E□-BOK	LM-030-BB4-0.S	LM-030-BB4-2.S			

N3RE EtherCAT models

Flange	Motor Model / E□ E8: 17-bit multi-turn absolute encoder EA: 23-bit multi-turn absolute encoder	Power cable model		Encoder cable model		Driver Model
		030: 3m cable		030: 3m cable		
		0: PVC ordinary fixed cable (PVC ordinary fixed cable (black))	2: PVC high flexible cable (10 million times bending)	0: PVC shielded ordinary fixed cable (2 million bends)	2: PVC shielded high flexible cable (10 million bends)	
40	KMT40-10B30E□-OK	LM-030-SAF-0.S	LM-030-SAF-2.S	LE-030-4PF-0.V	LE-030-4PF-2.V	N3RE-1R8SA-E
	KMT40-10B30E□-BOK	LM-030-SBF-0.S	LM-030-SBF-2.S			
	KMT40-10B30E□-OK.G	LM-030-SA2-0.S	LM-030-SA2-2.S	LE-030-4P2-0.V	LE-030-4P2-2.V	N3RE-1R8SA-E
60	KMT40-10B30E□-BOK.G	LM-030-SB2-0.S	LM-030-SB2-2.S	LE-030-4PF-0.V	LE-030-4PF-2.V	N3RE-1R8SA-E
	KMT60-20B30E□-OK	LM-030-SAF-0.S	LM-030-SAF-2.S			
	KMT60-20B30E□-BOK	LM-030-SBF-0.S	LM-030-SBF-2.S	LE-030-4PF-0.V	LE-030-4PF-2.V	N3RE-2R8SA-E
	KMT60-40B30E□-OK	LM-030-SAF-0.S	LM-030-SAF-2.S			
	KMT60-40B30E□-BOK	LM-030-SBF-0.S	LM-030-SBF-2.S	LE-030-4PF-0.V	LE-030-4PF-2.V	N3RE-1R8SA-E
	KMT60-20B30E□-OK.G	LM-030-SA2-0.S	LM-030-SA2-2.S			
	KMT60-20B30E□-BOK.G	LM-030-SB2-0.S	LM-030-SB2-2.S	LE-030-4P2-0.V	LE-030-4P2-2.V	N3RE-1R8SA-E
	KMT60-40B30E□-OK.G	LM-030-SA2-0.S	LM-030-SA2-2.S			
KMT60-40B30E□-BOK.G	LM-030-SB2-0.S	LM-030-SB2-2.S	LE-030-4P2-0.V	LE-030-4P2-2.V	N3RE-2R8SA-E	
80	KMT80-75B30E□-OK	LM-030-SAF-0.S	LM-030-SAF-2.S	LE-030-4PF-0.V	LE-030-4PF-2.V	N3RE-4R2SA-E
	KMT80-75B30E□-BOK	LM-030-SBF-0.S	LM-030-SBF-2.S			
	KMT80-75B30E□-OK.G	LM-030-SA2-0.S	LM-030-SA2-2.S	LE-030-4P2-0.V	LE-030-4P2-2.V	N3RE-4R2SA-E
	KMT80-75B30E□-BOK.G	LM-030-SB2-0.S	LM-030-SB2-2.S			
100	KMTM100-10C30E□-OK	LM-030-AA4-0.S	LM-030-AA4-2.S	LE-030-4P4-0.V	LE-030-4P4-2.V	N3RE-7R6SA-E
	KMTM100-10C30E□-BOK	LM-030-AB4-0.S	LM-030-AB4-2.S			
	KMTM100-15C30E□-OK	LM-030-BA4-0.S	LM-030-BA4-2.S	LE-030-4P4-0.V	LE-030-4P4-2.V	N3RE-120SA-E
	KMTM100-15C30E□-BOK	LM-030-BB4-0.S	LM-030-BB4-2.S			
	KMTM100-20C30E□-OK	LM-030-BA4-0.S	LM-030-BA4-2.S	LE-030-4P4-0.V	LE-030-4P4-2.V	N3RE-120SA-E
	KMTM100-20C30E□-BOK	LM-030-BA4-0.S	LM-030-BA4-2.S			
	KMTM100-25C30E□-OK	LM-030-BA4-0.S	LM-030-BA4-2.S	LE-030-4P4-0.V	LE-030-4P4-2.V	N3RE-5R4SC-E
	KMTM100-25C30E□-BOK	LM-030-BB4-0.S	LM-030-BB4-2.S			
	KMTM100H-10C30E□-OK	LM-030-AA4-0.S	LM-030-AA4-2.S	LE-030-4P4-0.V	LE-030-4P4-2.V	N3RE-5R4SC-E
	KMTM100H-10C30E□-BOK	LM-030-AB4-0.S	LM-030-AB4-2.S			
	KMTM100H-15C30E□-OK	LM-030-AA4-0.S	LM-030-AA4-2.S	LE-030-4P4-0.V	LE-030-4P4-2.V	N3RE-5R4SC-E
	KMTM100H-15C30E□-BOK	LM-030-AB4-0.S	LM-030-AB4-2.S			
KMTM100H-20C30E□-OK	LM-030-AA4-0.S	LM-030-AA4-2.S	LE-030-4P4-0.V	LE-030-4P4-2.V	N3RE-8R3SC-E	
KMTM100H-20C30E□-BOK	LM-030-AB4-0.S	LM-030-AB4-2.S				
KMTM100H-25C30E□-OK	LM-030-BA4-0.S	LM-030-BA4-2.S	LE-030-4P4-0.V	LE-030-4P4-2.V	N3RE-8R3SC-E	
KMTM100H-25C30E□-BOK	LM-030-BB4-0.S	LM-030-BB4-2.S				

*For more models, please contact SLANVERT

Technology Exchanges And Cooperation

Asia Pulp & Paper Co., Ltd.

National Stadium

Haohua Chemical Group

Shougang Group

Jintan Energy Storage

Daqing Oilfield

SBW

Jiulong Wanbo

Huarun Cement Co., Ltd.

ShaanGu

China Huadian Corporation

Hainan Jinhai Pulp

Japan Daikin

Fufeng Group

Sanmenxia Aluminum Co., Ltd.

Johnson Controls